

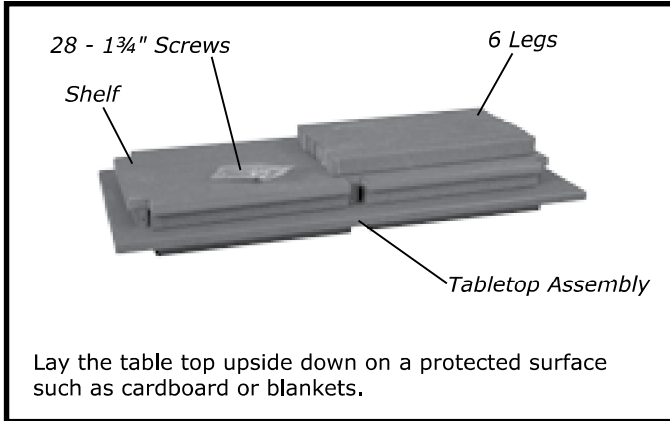
# Assembly Instructions

## Avonlea Coffee Table

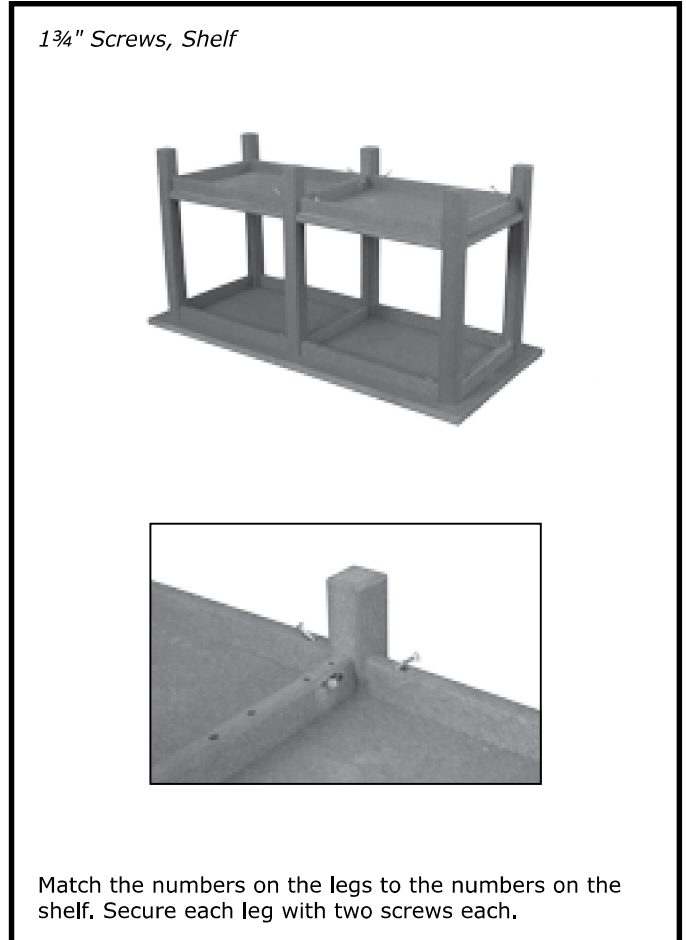
**Tools Needed:** hammer, 7/16" wrench, #2 square bit screw driver or power driver, punch  
No drilling is required. All the necessary holes are predrilled. Bolts fit snugly in the holes. You may need to use a hammer to drive the bolts through the holes.



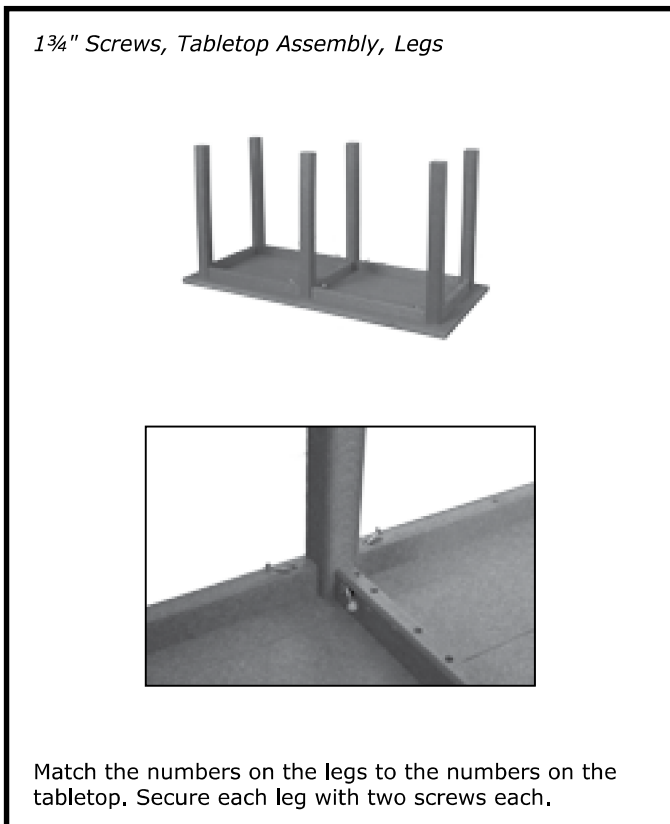
### Parts



### Step 2 – Install Bottom Shelf



### Step 1 – Install Legs



Congratulations!  
Your Avonlea coffee table  
is ready to enjoy!