

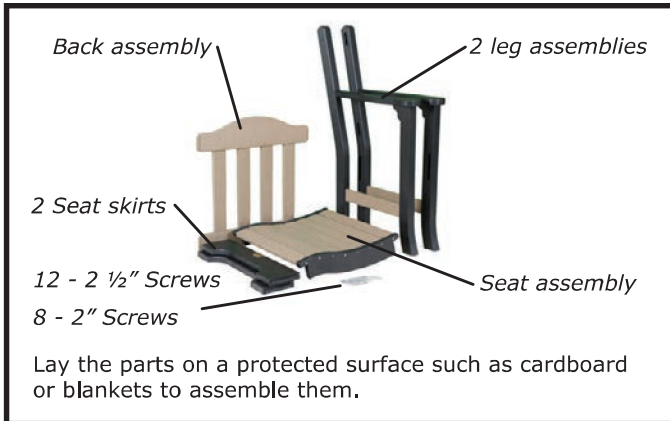
Assembly Instructions

For Avonlea Garden Chair

Tools Needed: #2 square bit screw driver or power driver, No drilling is required. All the necessary holes are predrilled.



Parts



Step 2 – Fasten right leg assembly



Step 1 – Fasten left leg assembly



Step 3 – Fasten seat assembly



Congratulations!
Your Avonlea Garden
Chair is ready to enjoy!



*When installing screws, tighten till the head goes slightly below the surface.