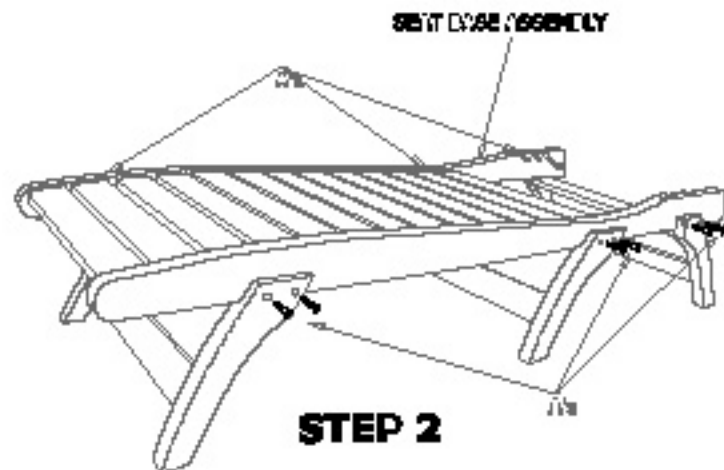
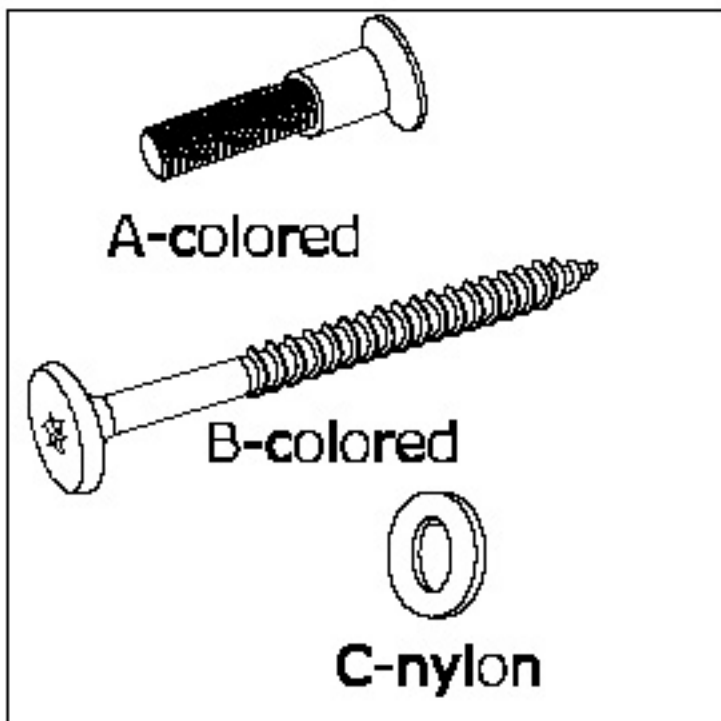


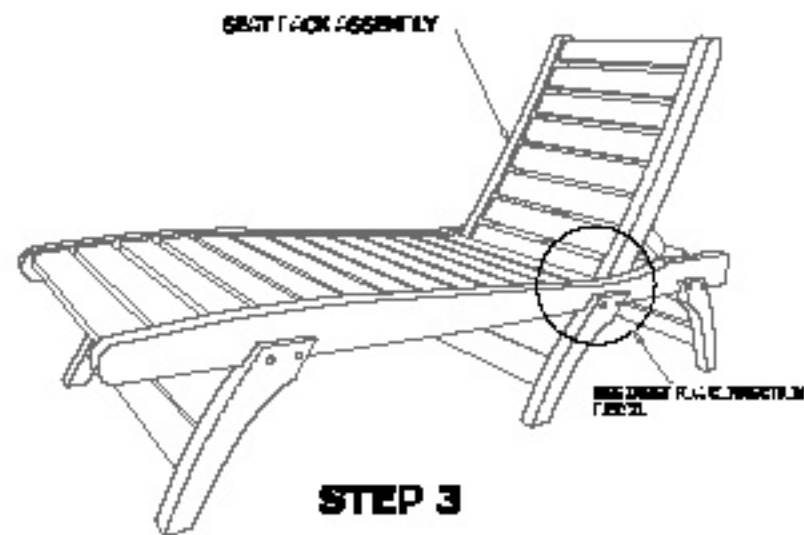
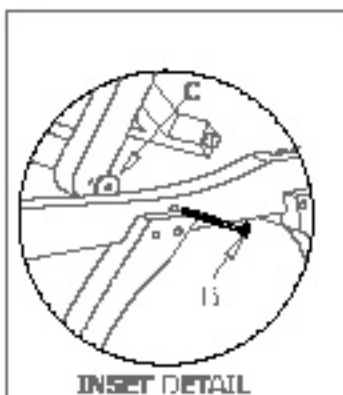
Arrange Front Leg Assemblies and Back Leg Assembly.



Attach Seat Base Assembly to legs using Chair Bolts (A).



LIST OF PARTS
 Front Leg Assembly (2)
 Back Leg Assembly (1)
 Seat Assembly (1)
 Seat Deck (1)
 Chair Bolts "1/2" (12)
 Colored Screws "1/2" (2)
 Nylon Washers "1/2" (2)
 Insert Lit Tool (1)



Attach Seat Back to Seat Base using Screws (B) and Nylon Washers (C), as shown in Inset detail.