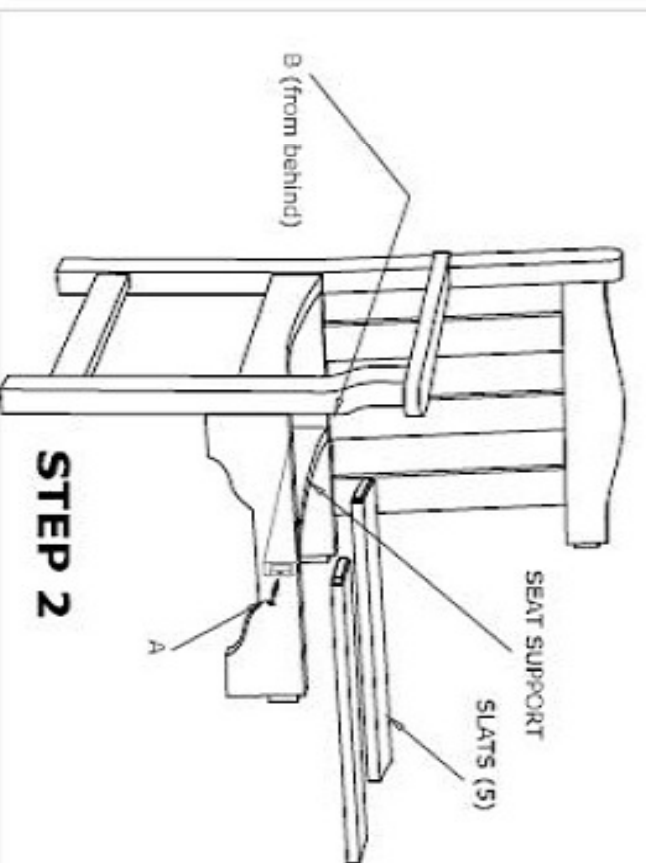


STEP 1

Attach Back Assembly and Front Rail to Right Side Assembly using screws (B) as shown.

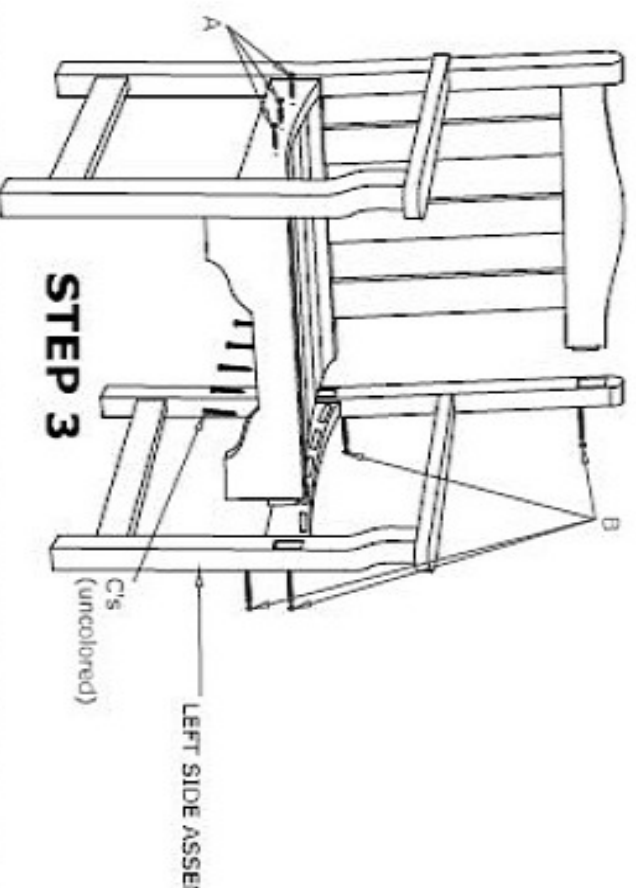


STEP 2

Attach Seat Supports using a screw (A) in the front and screw (B) in the back. Install Slats into slots provided on Right Side Assembly.

- .5" (7 pcs.) colored
- .25" (9 pcs.) colored
- .2" (5 pcs.) uncolored

- LIST OF PARTS**
- Back Assembly (1)
 - Left End Assembly (1)
 - Right End Assembly (1)
 - Front Rail (1)
 - Under Seat Supports (1)
 - Seat Slats (5)
 - Colored Screws "A" (7)
 - Colored Screws "B" (9)
 - Un-Colored Screws "C" (5)
 - Insert Bit Tool (1)



STEP 3

Fit seat slats into chair as shown. From the bottom side use uncolored screws (C) to secure slats. Use screws (A) to attach Side Assembly Slats.